



Hanford ALARA Center and D&D Knowledge Management Hotline Information Update July 8, 2010



ALARA Center Activities and Information

1. A Washington River Protection Solutions radiological engineer visited the ALARA Center to discuss strippable paints that could be used to decontaminate a valve pit. The valve pit's coating had bubbled and needed repair. The draft plan is to remotely scrape the coating from outside the valve pit, apply a stripcoat to clean and decontaminate the pit, and apply the new coating. I suggested they consider Stripcoat TLC, ALARA 1146, and DeconGel.
2. Atlas Inspection visited the ALARA Center to demonstrate their videoscope, push-camera, XRF analyzer (Positive Material Identification), and other inspection products. For more information about Atlas Inspection products and services visit www.atlas-inspection.com.
3. The new 3M EARfit Validation program is a quick and easy system that measures exactly how well each person is protected by their ear plugs. In less than ten seconds, you can now generate a personal attenuation rate for each person in your hearing conservation program. This is much more accurate than the noise reduction rating values on a box of ear plugs. This program measures seven frequencies in each ear and gives you immediate feedback for training and documentation. This validates good fitting practices and also identifies those who need more training to get the right amount of protection. Field tests show almost half the people tested do not get enough protection for the noise levels they work in. Now you can help your staff make the best choice of hearing protectors for each person. For more information go to www.E-A-Rfit.com and click on "watch the video".
4. I met with a Honeywell Safety products representative to discuss the North 7600 full face respirator. The North 7600 is available with a welding shield (photo below) that can be flipped up or removed when not welding. The 7600 can be adapted to PAPR or Supplied Air, and has a speech diaphragm that helps with conversations in the working environment. For more information about the North 7600 visit <http://www.northsafety.com/> and click on the US map, then click on product catalogs.



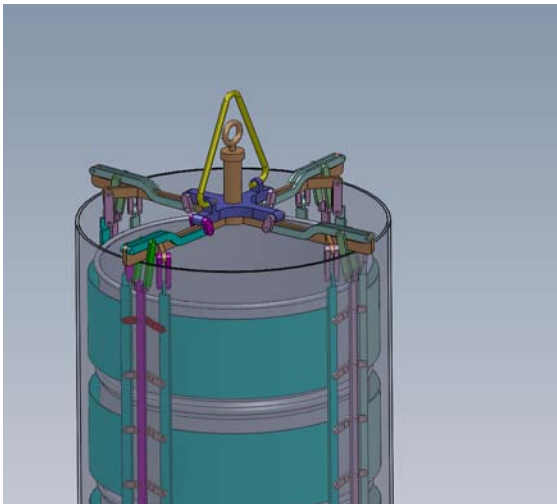


Hanford ALARA Center and D&D Knowledge Management Hotline Information Update July 8, 2010



D&D Hotline Activities and Information

1. DOE EM's Deactivation & Decommissioning/Facility Engineering website offers two new perspectives for information resources. The first is an integrated overview of DOE's complex-wide D&D project locations, scope, and issues, referred to as "D&D Maps". D&D Maps is located at <http://www.em.doe.gov/EM20Pages/DDMaps.aspx>. The second is a "Legacy Technology Information" page that provides a resource from the past. This page contains "Innovative Technology Summary Reports", also referred to as "ITSRs" and "green books". These publications were developed to communicate potential technology to users with relevant information to help them to quickly determine if a technology might be applied to a particular environmental management problem they needed to address. Visit <http://www.em.doe.gov/EM20Pages/LegacyTechInformation.aspx> to view the legacy Technology Information page.
2. Intellegation developed a drum handling system (graphic below) for a Hanford site application that could have application at other DOE sites. The key feature of this design is that it actually grasps the entire outside shell of the drum with fairly even force and lifts it in such a manner that it can be placed into or out of an 85 or 110 gallon overpack drum. A short demonstration video of the drum handling system can be viewed at <http://www.youtube.com/watch?v=P3UXRaCbXjI>. Visit www.intellegrationLLC.com for more information about Intellegation's full line of services and products.



3. Genesis has a complete line of demolitions attachments that includes shears, concrete processors, grapples, and specialty attachments. If you are interested in demolition attachments I recommend that you take a look at the Genesis video library, which demonstrates each of the attachments in use. The videos can be viewed at <http://genesisequip.com/videos.asp>. The attachments and specs can be seen at http://genesisequip.com/product_category.aspx?IID=3.



Hanford ALARA Center and D&D Knowledge Management Hotline Information Update July 8, 2010



4. Festo Great Britain has developed a handling system inspired by an elephant's trunk. The system can actually mimic the same movement an elephant's trunk is capable of. This could be an advantage for remote retrieval projects or cleaning out hot cells. To view a video demonstration of Festo's handling system visit http://www.festo.com/cms/en-gb_gb/13254.htm .

Contact Information

We invite you to visit the Hanford ALARA Center located on the Hanford Site in Building 2101M in 200 East, Rooms 220 to 226. The Center's focus is on supporting your project's safety, radiological engineering, ALARA, and D&D challenges. You also can send your questions, comments, and lessons learned to me via e-mail or contact me by phone. Additionally, I would be happy to come to your site to assist with your project's challenges. My contact information is below.

Jeff Hunter: (509) 373-0656, Cell (509) 948-5906, jeffrey_1_hunter@rl.gov

Please help me keep the report distribution current by letting me know if you would like to be added or removed from distribution and by letting me know when you change your e-mail address.

Other helpful links are:

Hanford ALARA Center: www.hanford.gov/rl/?page=974&parent=973

D&D Knowledge Management Tool: dndkm.arc.fiu.edu/dndkm/

SRS ALARA Center: www.srs.gov/general/programs/alara/alara_center.htm

Department of Energy Hanford Site: www.hanford.gov/

Virtual Hanford Tour: www.hanford.gov/?page=326&parent=317

Dade Moeller: <http://www.moellerinc.com/index.php>

Mission Support Alliance: <http://www.msa-hanford.com/>